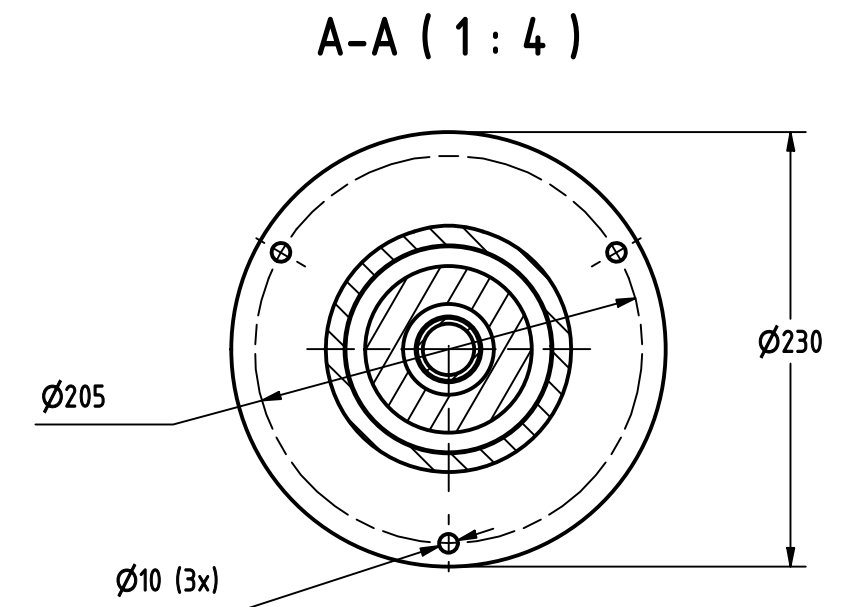
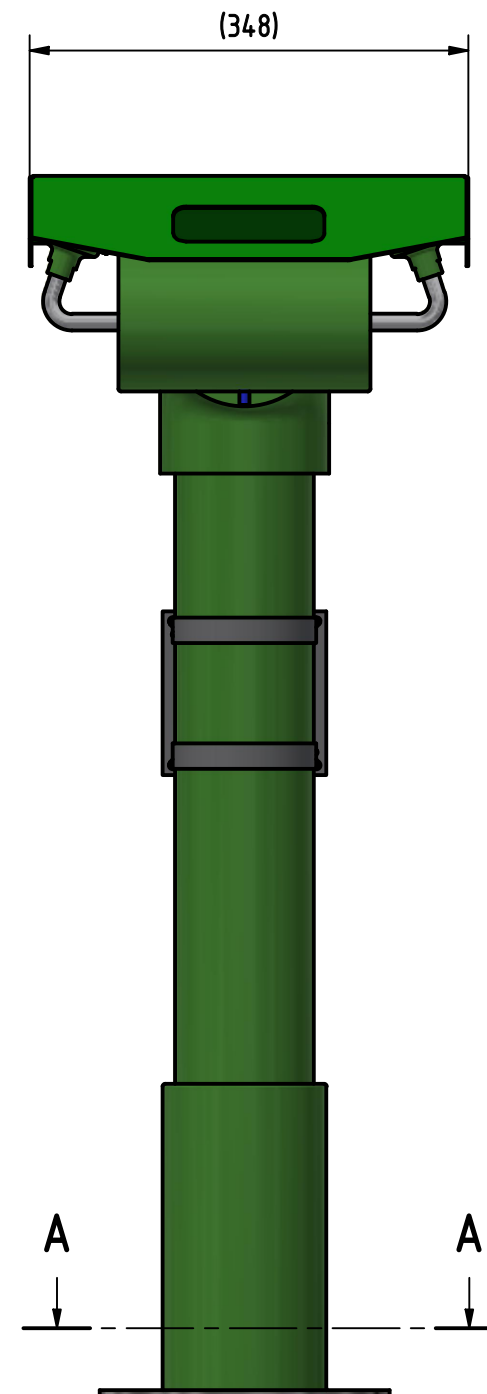
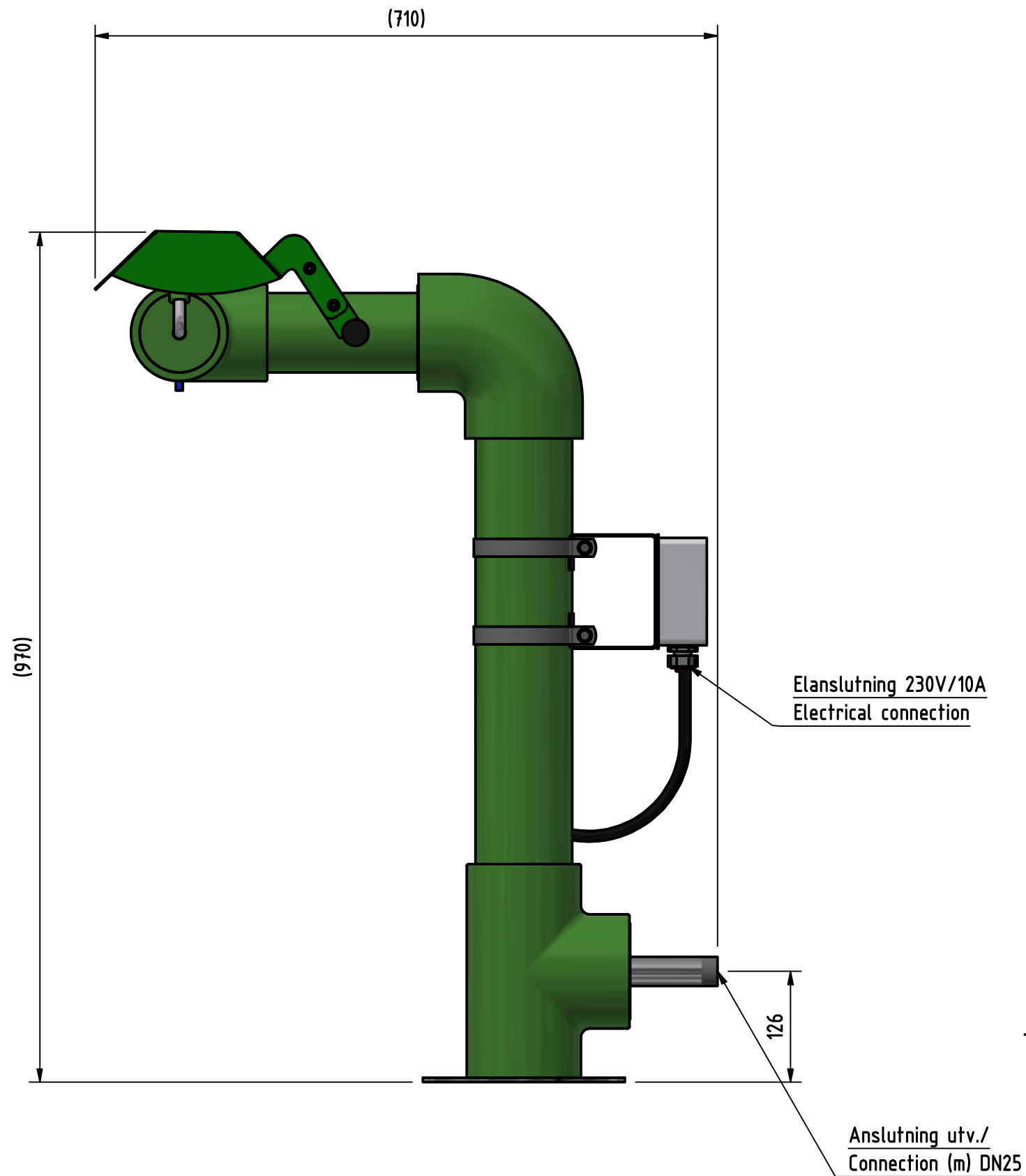




Min flow: 26 l/min



7923652  
7923652-EX