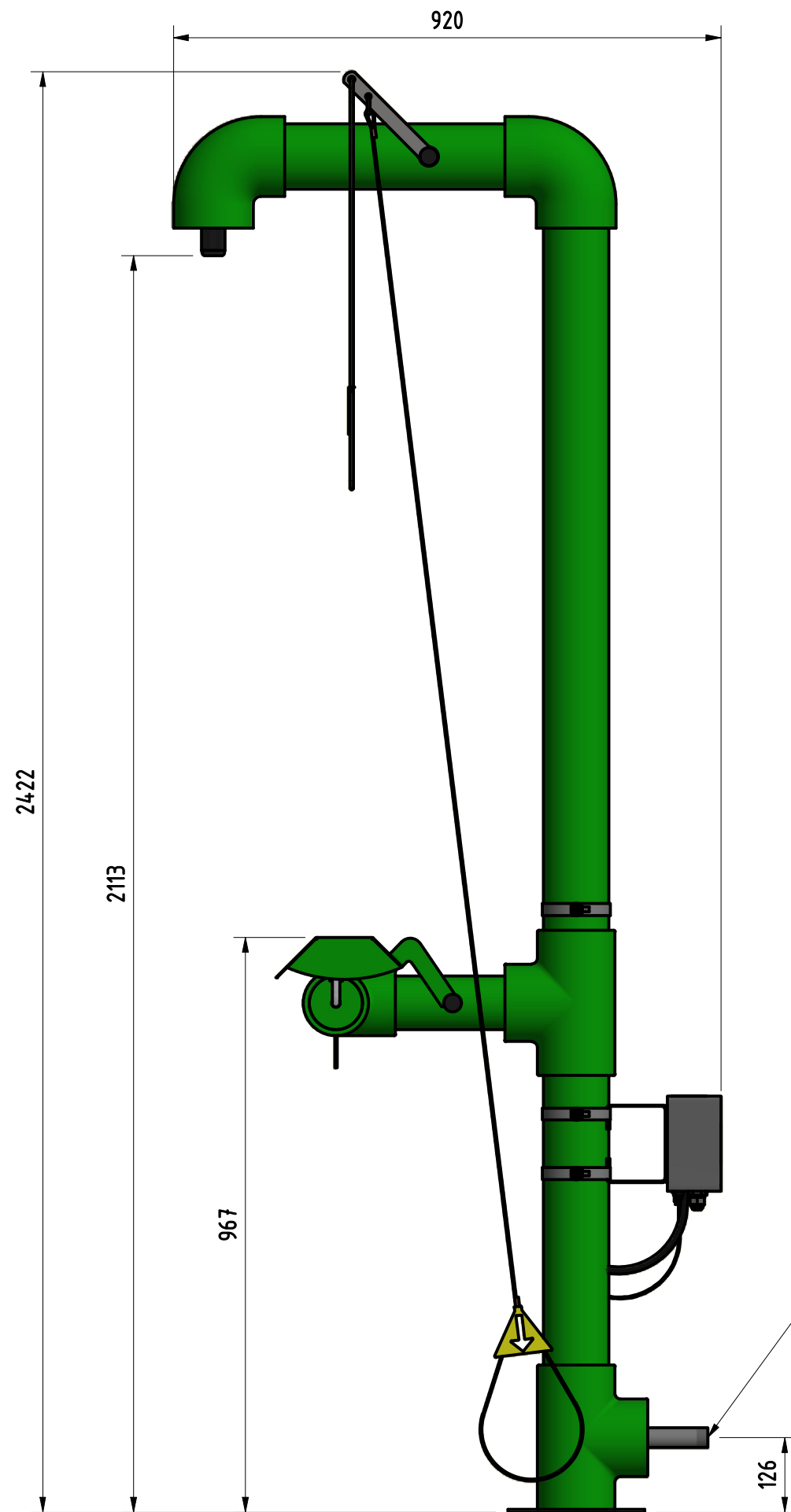
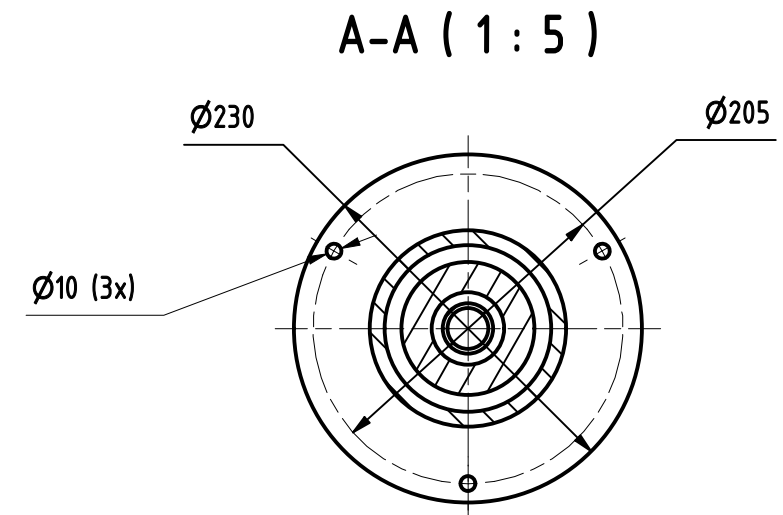
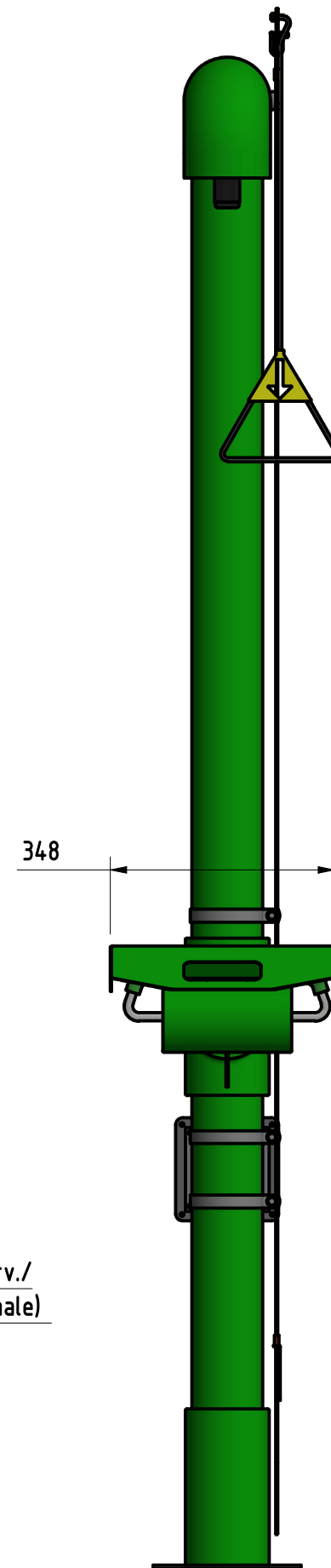




Min flow: 26 + 76 l/min



Anslutning utv./  
Connection (male)  
DN25 ( R 1" )



7957917

7957917-EX