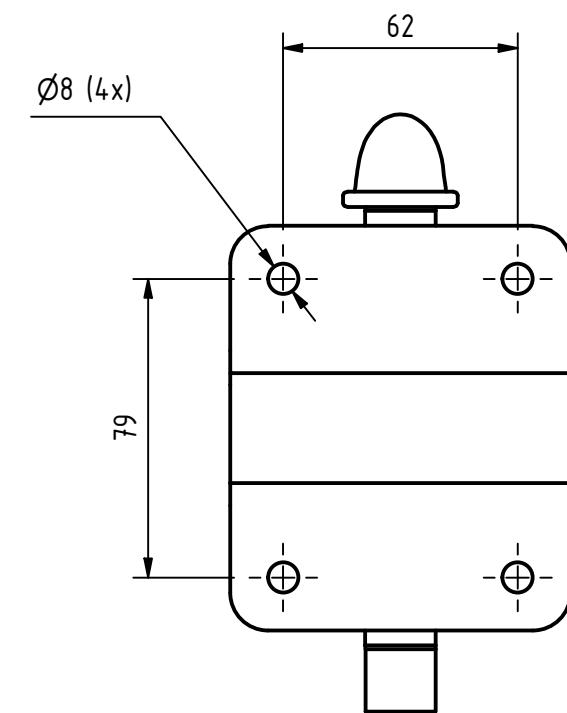


 **GIA Premix**

Min flow: 76 l/min

A (1 : 2)



7957915-WHITE