

GIA Premix

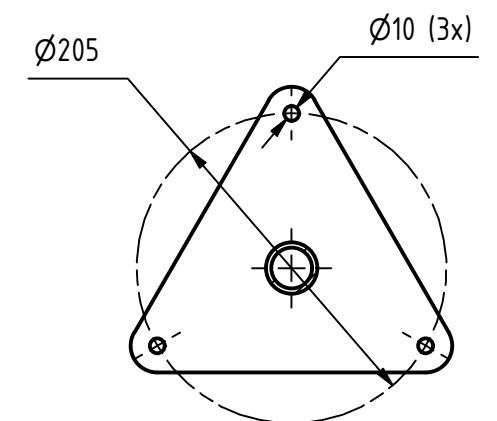
Min flow: 20 + 76 l/min

For 797 61 74 min flow is: 10 + 76 lit/min

OBS/NOTE!

Duschen på ritningen kan ha annan utrusting än i verkligheten./
The drawing of the shower may vary from the reality.

A-A (1 : 5)



7976166-7976169

7976174