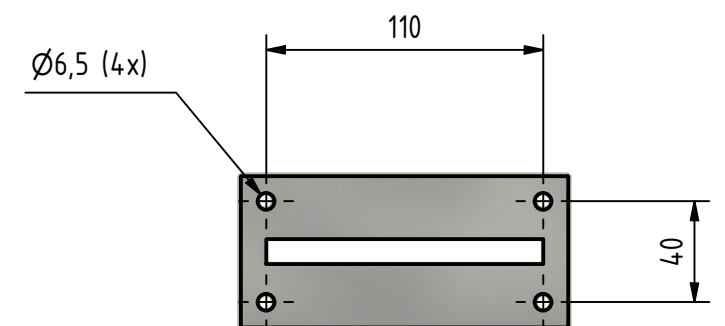
 **GIA Premix**

Min flow: 78 l/min



8223623