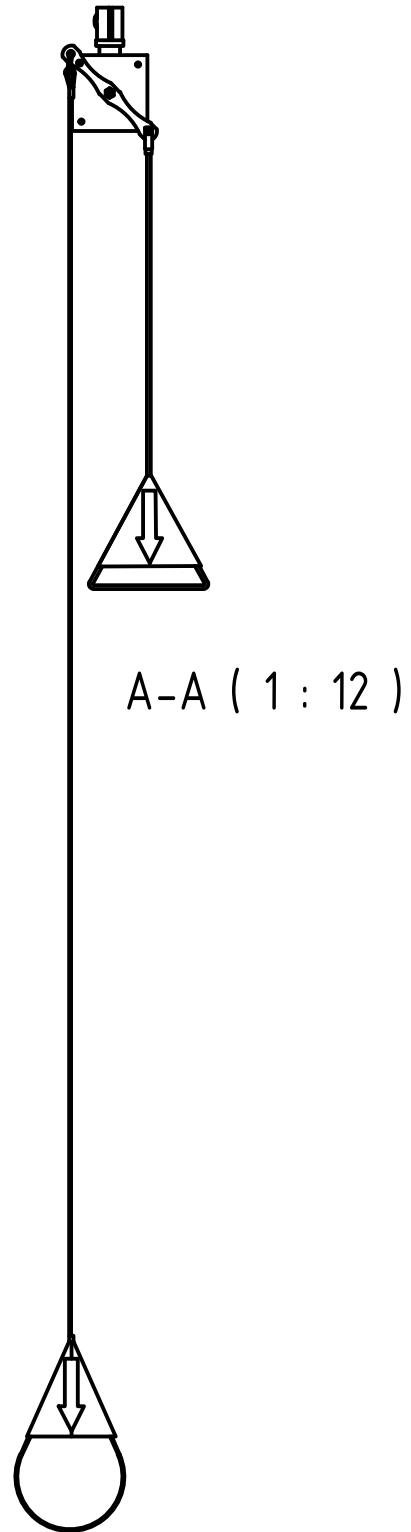
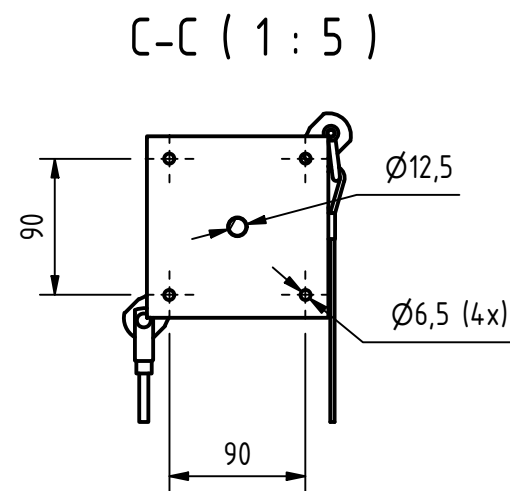
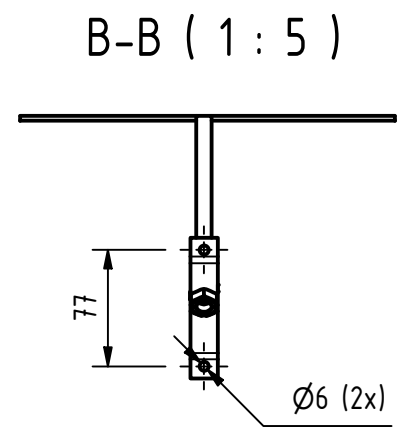
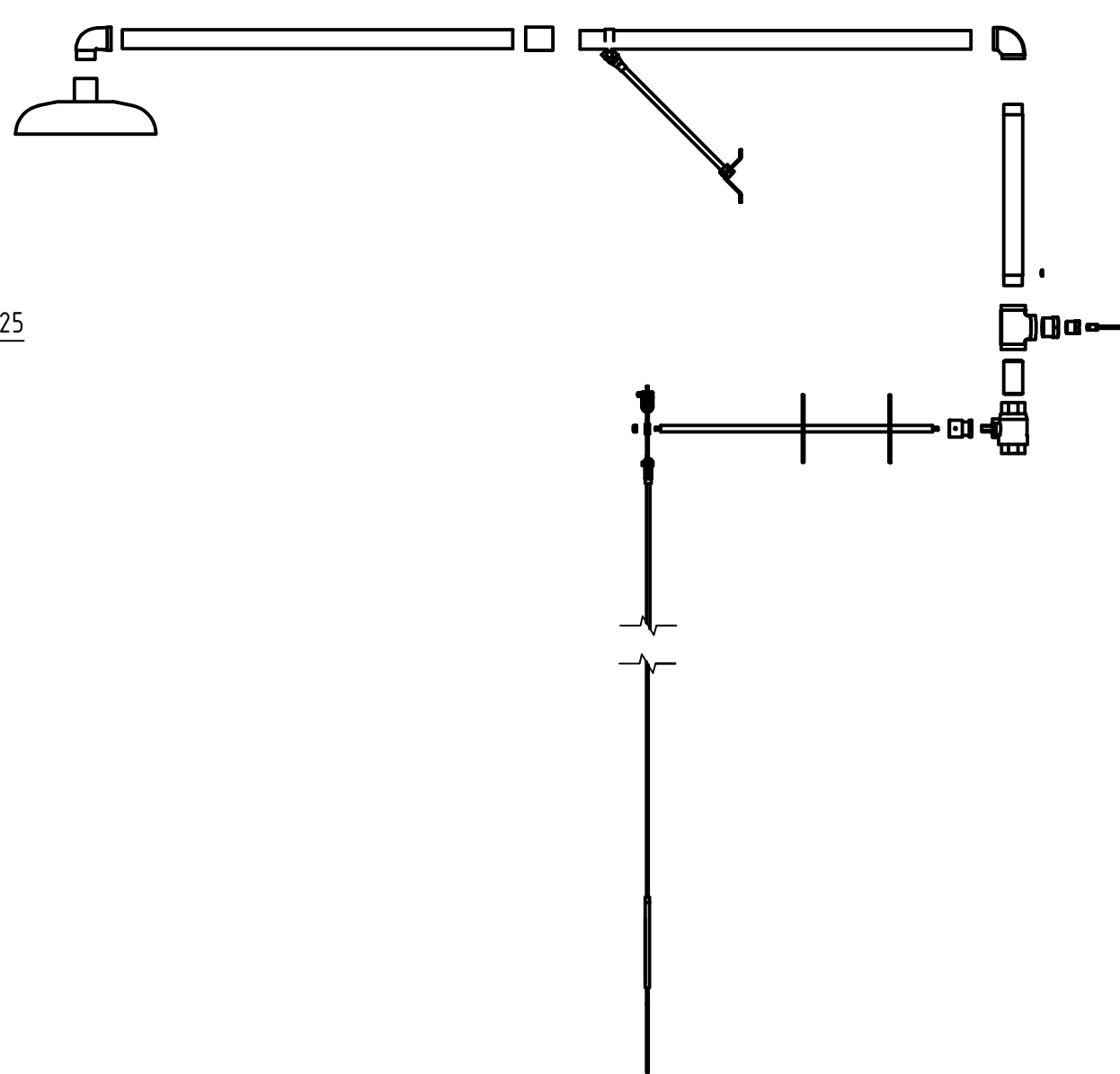
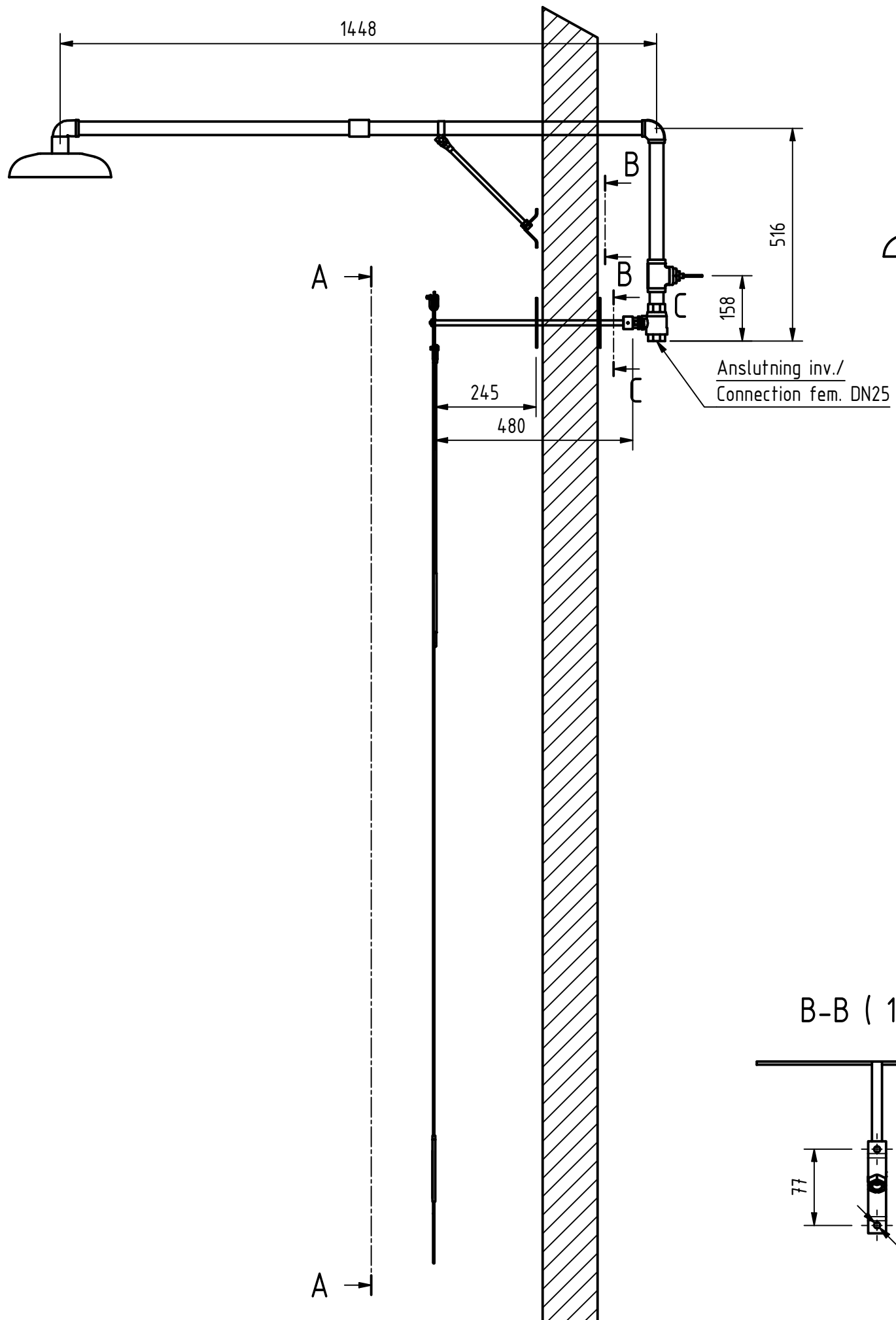


Min flow: 150 l/min



8223720