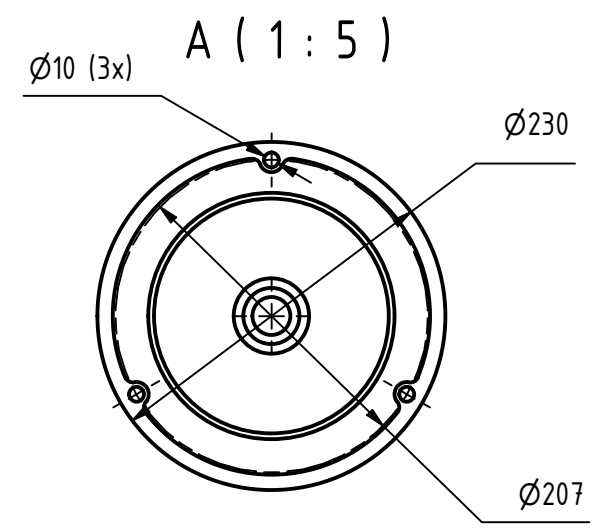
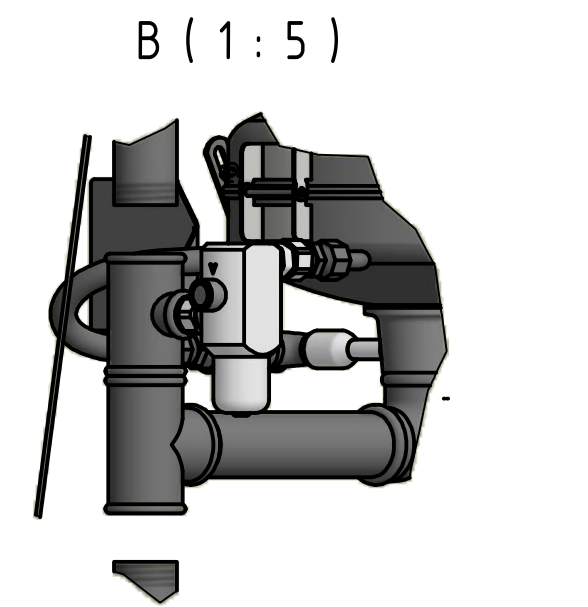


 **GIA Premix**

Min flow: 20 + 78 l/min



8223632