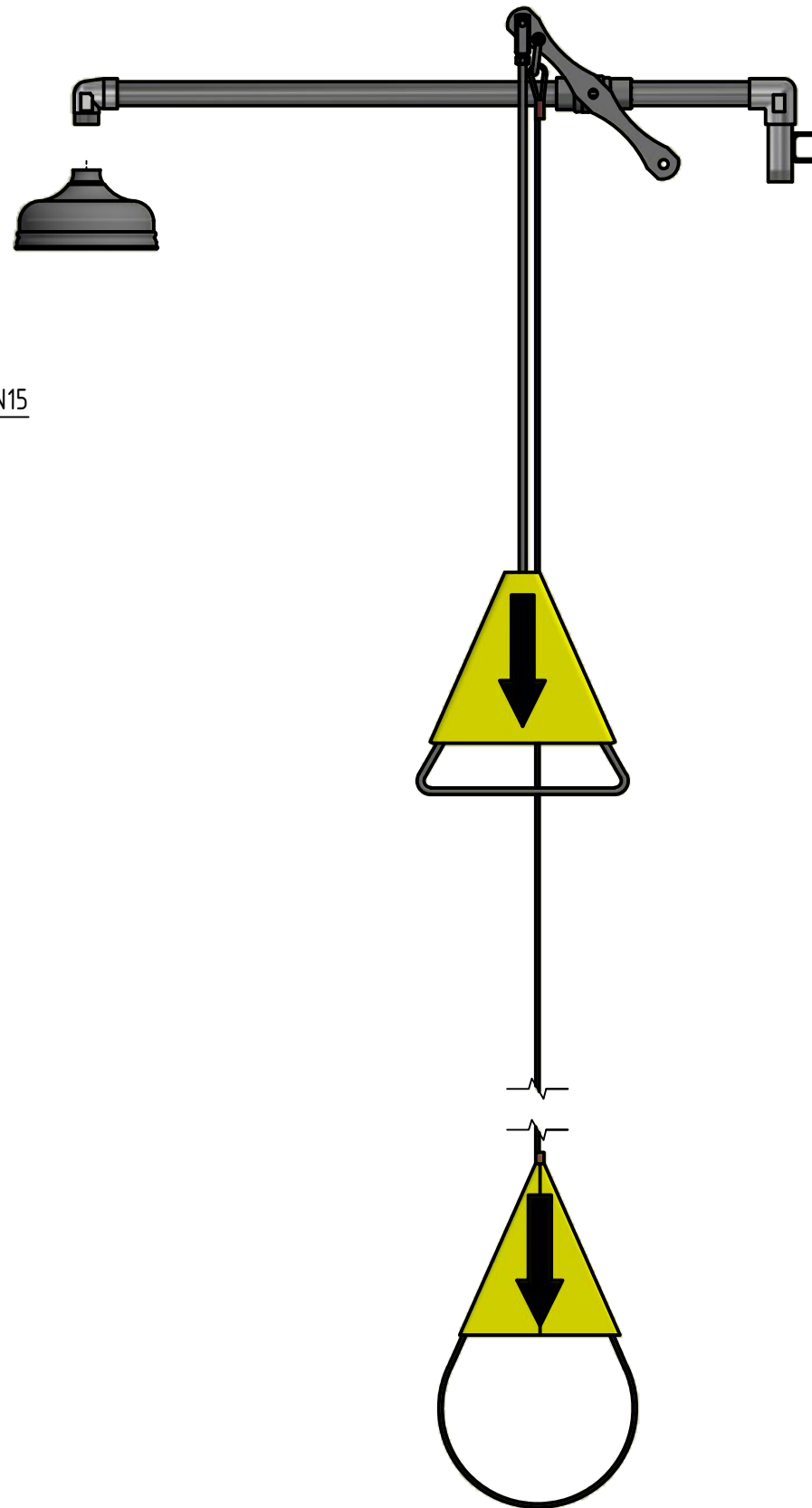
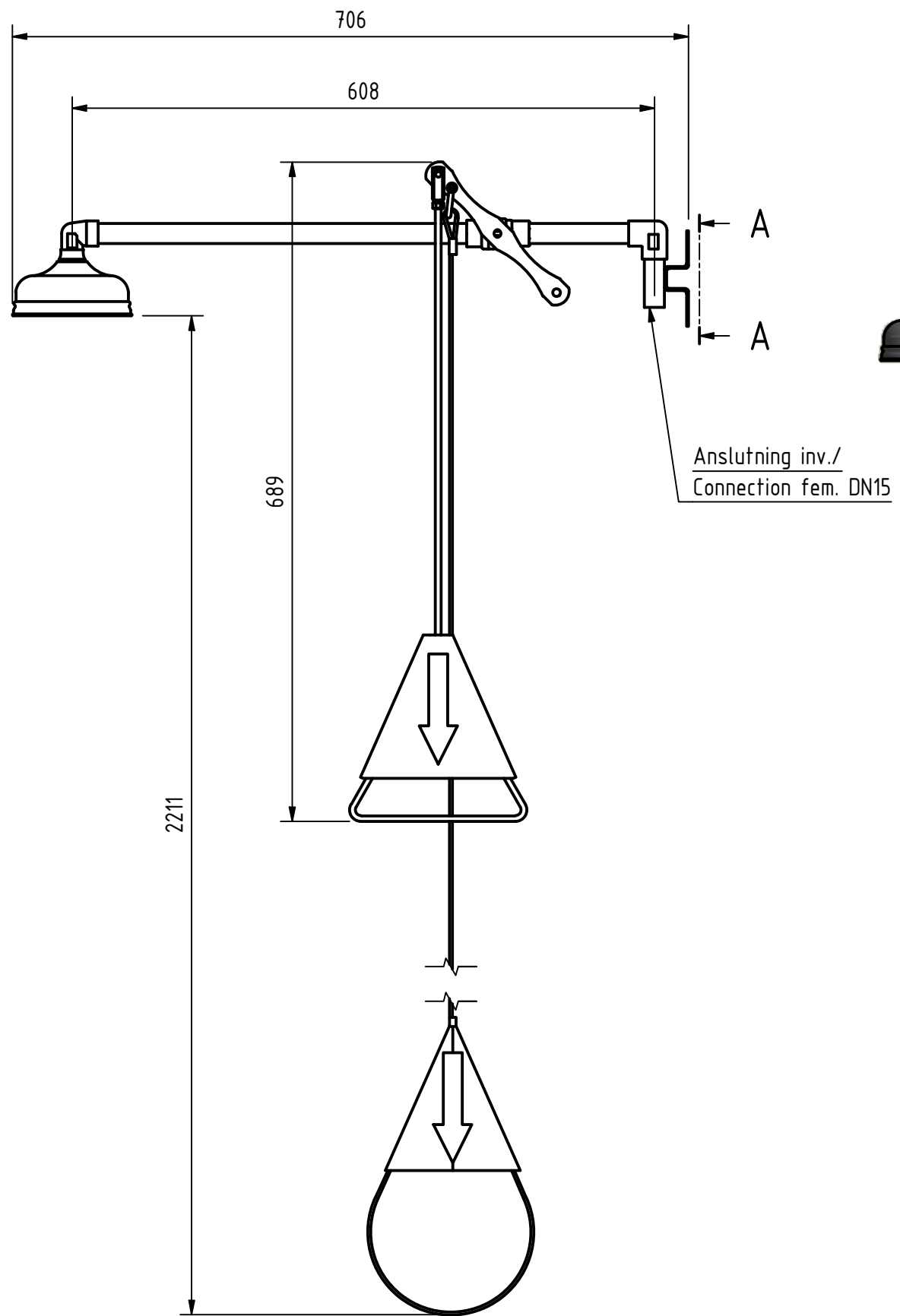
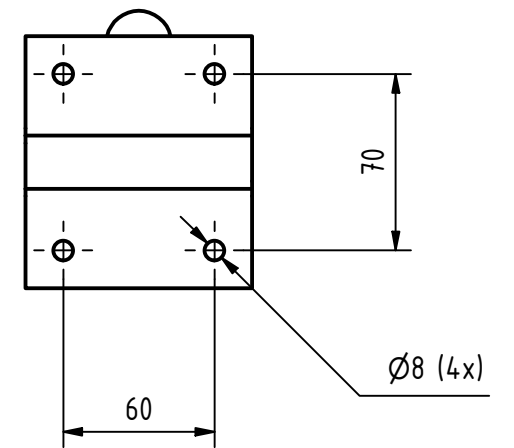


GIA Premix

Min flow: 75 l/min



A (1:3)



8223624