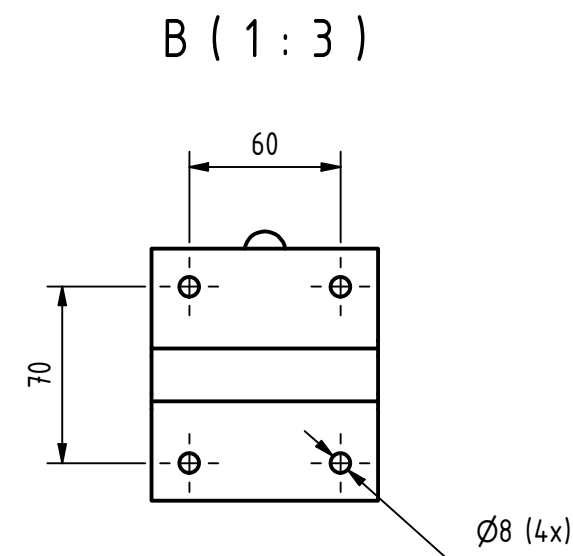
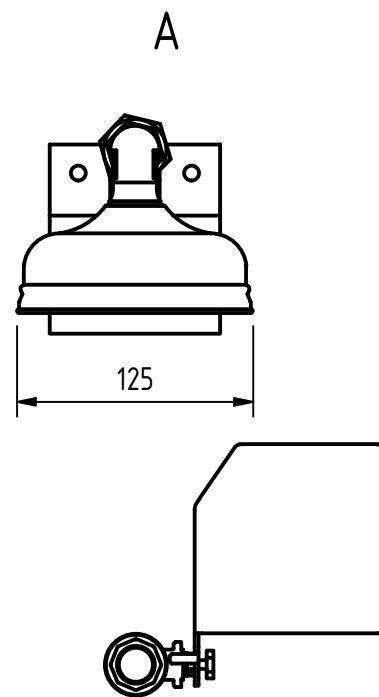
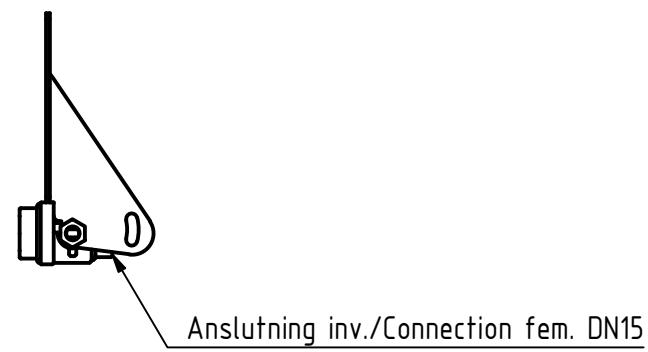
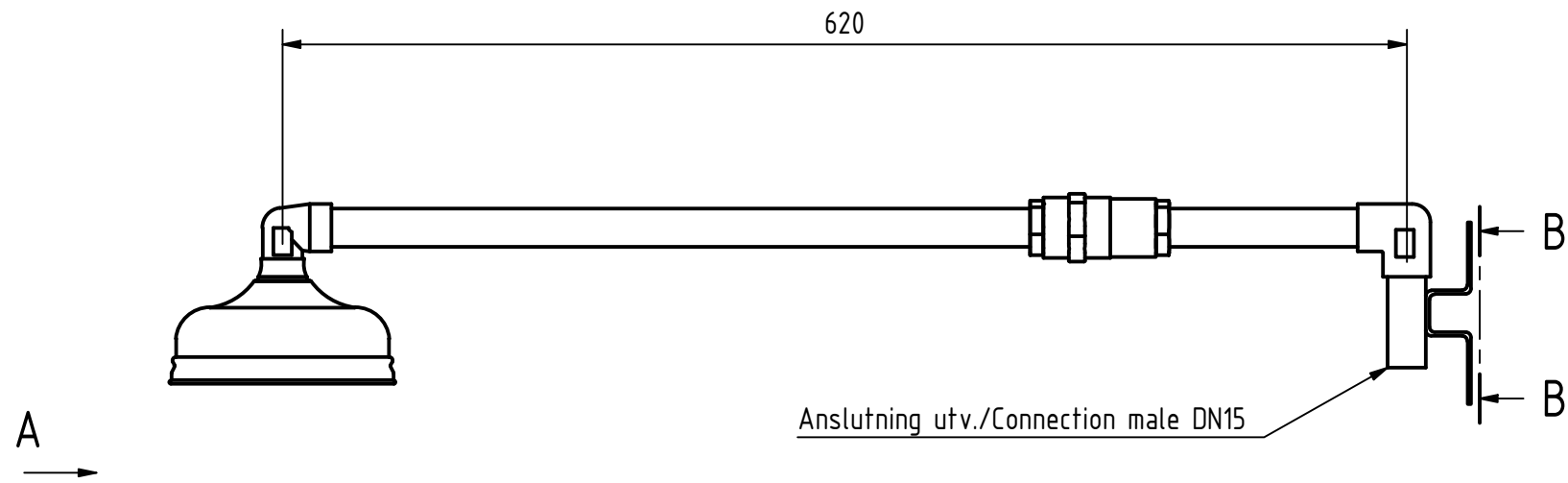


# GIA Premix

Min flow: 50 l/min



8223624-50-UV