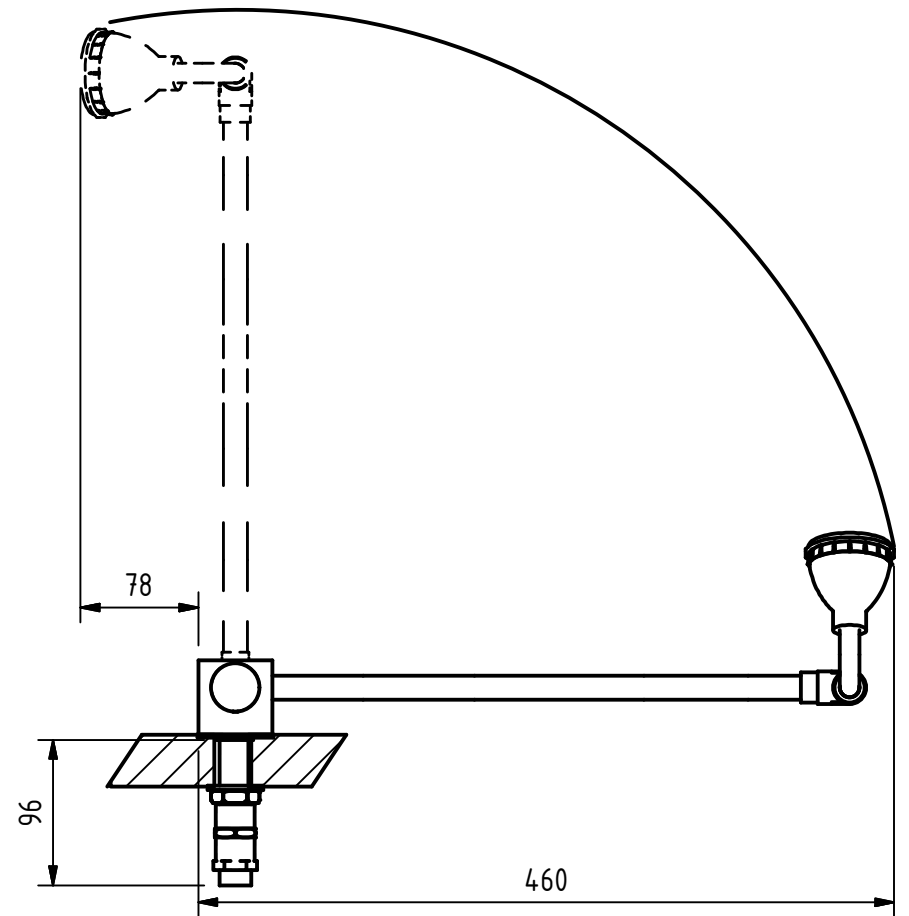
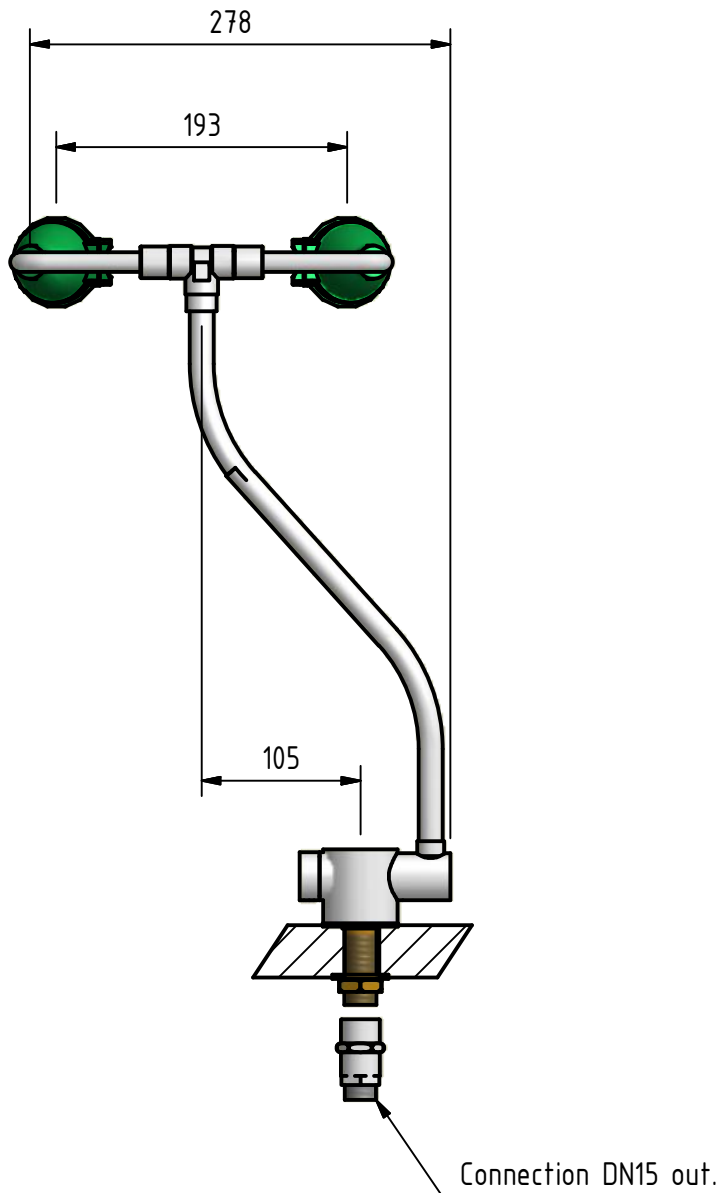


# GIA Premix

Min flow: 26 l/min



8223568